

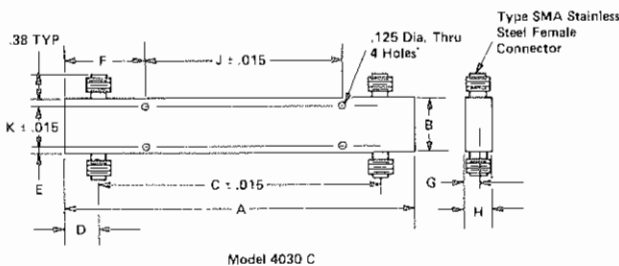
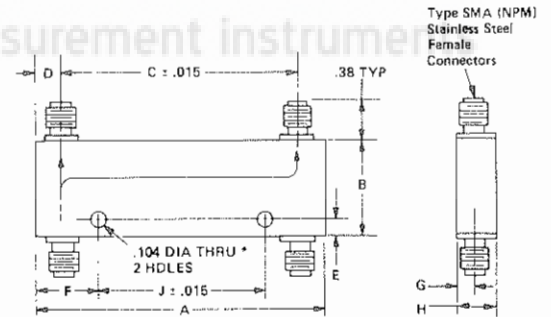
Hybrid Junctions

SPECIFICATIONS

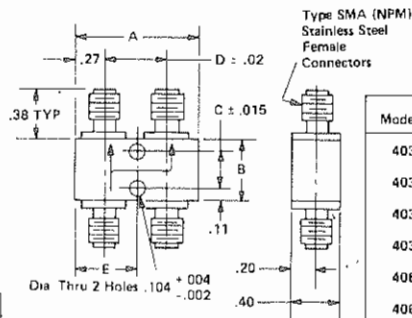
FREQUENCY RANGE (GHz)	MODEL	NOMINAL COUPLING (dB)	VSWR	DEVIATION FROM NOMINAL (Max)(dB)	ISOLATION (Min) (dB)	INPUT POWER		CONNECTORS	WEIGHT	
						AVERAGE (Watts)	PEAK (kW)		Ozs	Gr
0.125-0.25	4029C	3 ⁺² ₋₀	1.25	±0.5	25	50	5	SMA Female	6	170
0.25-0.5	4030B	3 ⁺² ₋₀	1.25	±0.5	25	50	5	SMA Female	3.0	85
0.5-1	4031C	3 ⁺² ₋₀	1.25	±0.5	20	50	5	SMA Female	1.4	40
1-2	4032C	3 ⁺² ₋₀	1.10	±0.5	30	50	5	SMA Female	0.7	20
2-4	4033C	3 ⁺² ₋₀	1.20	±0.5	22	50	5	SMA Female	0.53	16
2.6-5.2	4063	3 ⁺³ ₋₀	1.25	±0.5	20	50	5	SMA Female	0.5	14
4-8	4034C	3 ⁺³ ₋₀	1.25	±0.5	20	50	5	SMA Female	.56	16
7-12.4	4035C	3 ⁺³ ₋₀	1.30	±0.5	18	50	5	SMA Female	.6	17
7.5-16	4065	3 ⁺⁶ ₋₀	1.35	±0.6	15	30	5	SMA Female	0.7	20
12.4-18	4036C	3 ⁺⁶ ₋₀	1.40	±0.7	15	50	5	SMA Female	0.7	20

Model No.	Maximum Dimensions									
	A	B	C	D	E	F	G	H	J	
4029C	3.12	2.30	2.234 -.015	.45	1.15	.18	.26	.51	2.770 -.015	
4031C	3.06	.51	2.562 -.015	.25	.10	.85	.20	.39	1.375 -.015	
4032C	1.77	.51	1.281 -.015	.25	.10	.64	.19	.39	.500 -.015	

*.104 Dia (2) Holes thru 4032C
 .125 Dia (2) Holes thru 4029C, 4031C



Model 4030 C



Model No.	A	B	C	D	E
4033C	1.20	.55	.312	.66	.60
4034C	1.04	.55	.312	.50	.52
4035C	1.04	.55	.312	.50	.52
4036C	1.04	.62	.389	.50	.52
4063	1.20	.55	.312	.66	.60
4065	1.04	.62	.389	.50	.52

MODEL 4033C, 4034C, 4035C, 4065

Model No.	Maximum Dimensions									
	A	B	C	D	E	F	G	H	J	K
4030C	5.80	.70	4.925 ±.015	.44	.10	.91	.22	.43	4.000 ±.015	.518 -.015

narda

All dimensions are Max. unless otherwise specified.