

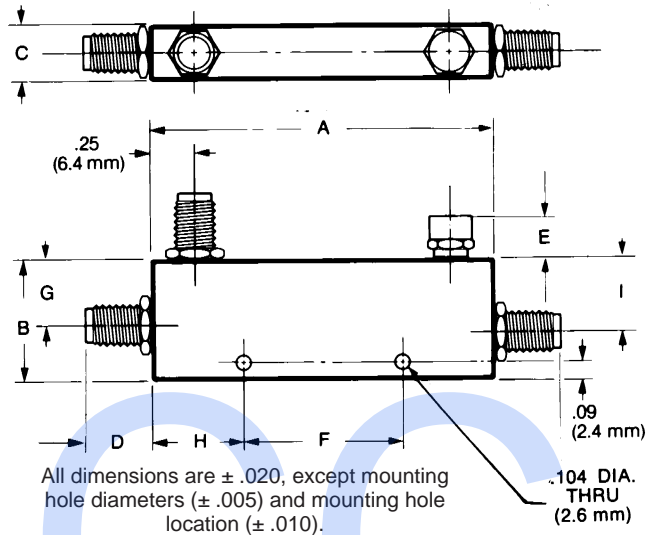
Directional Couplers Ultra-Broadband

2026/8526 Series

V2.00

Features:

- Frequency Range: 0.5 – 50 GHz
- Standard Coupling Values: 10, 13, 16 and 20 dB
- Temperature Range: -54° to + 125°C
- Connectors: SMA per MIL-C-39012, 3.5mm or OS-50 (2.4mm)
- Isolated Port with Non-removable 50 ohm Termination



Specifications

PART NO.	CASE STYLE	FREQUENCY RANGE (GHz)	COUPLING (INCLUDES FREQUENCY SENSITIVITY)	FREQUENCY SENSITIVITY (dB)	INSERTION LOSS (dB) max.	DIRECTIVITY min. (dB)	VSWR (max.) PRI. LINE	POWER (INPUT PORT)		
								AVG. IN. (W)	AVG. REFL. (W)	PK. (kW)
2026-6001-10	1	1.0-12.4	10 ± 1	± 0.4	.35 + .04fGHz	18 ¹	1.30	50	10	3
2026-6002-16	1		16 ± 1 ³	± 1.0	.35 + .04fGHz	18	1.30	50	40	3
2026-6003-20	1		20 ± 1	± 0.6	.35 + .04fGHz	17	1.30	50	50	3
2026-6004-10	2	2.0-18.0	10 ± 1	± 0.5	.30 + .03fGHz	15 ²	1.35	50	10	3
2026-6005-16	2		16 ± 1 ³	± 0.5	.30 + .03fGHz	18 ⁴	1.35	50	40	3
2026-6006-20	2		20 ± 1	± 0.5	.30 + .03fGHz	18 ⁴	1.35	50	50	3
2026-6007-10	1	1.0-18.0	10 ± 1 ⁸	± 0.5	.30 + .05fGHz	15 ²	1.40	50	10	3
2026-6008-16	1		16 ± 1 ³	± 1.0	.30 + .05fGHz	18 ⁴	1.40	50	40	3
2026-6009-20	1		20 ± 1	± 0.6	.30 + .05fGHz	17 ⁴	1.40	50	50	3
2026-6010-10	3	0.5-18.0	10 ± 1	± 1.0	.90 + .03fGHz	15 ²	1.50	50	10	3
2026-6011-16	3		16 ± 1.5 ³	± 1.5	.90 + .03fGHz	15	1.50	50	40	3
2026-6012-20	3		20 ± 1	± 1.0	.90 + .03fGHz	15	1.50	50	50	3
2026-6013-10	3	0.5-26.5 ⁶	10 ± 1.5	± 1.5	.90 + .06fGHz	15 ⁵	1.60	50	10	3
2026-6014-16	3		16 ± 2 ³	± 2.0	.90 + .06fGHz	15 ⁵	1.60	50	40	3
2026-6015-20	3		20 ± 1.5	± 1.5	.09 + .06fGHz	15 ⁵	1.60	50	50	3
8526-6002-13	4	2.0-50.0 ⁷	13 ± 1.5 ³	± 1.0 (2-40) ± 1.5 (40-50)	2.0	15 (2-26) 12 (26-40) 10 (40-50)	1.3 (2-26) 1.7 (26-40) 1.8 (40-50)	10	5	.5
8526-6050-13	5	2.0-50.0 ⁷	13 ± 1.5 ³	± 1.0 (2-40) ± 1.5 (40-50)	2.0	15 (2-26) 12 (26-40) 10 (40-50)	1.3 (2-26) 1.7 (26-40) 1.8 (40-50)	10	5	.5

¹ 15 dB from 8.0 to 12.4 GHz

² 12 dB from 12.4 to 18 GHz

³ Reference to output port for use as leveling coupler.

⁴ 15 dB from 12.4 to 18 GHz

⁵ 12 dB from 12.4 to 26.5 GHz

⁶ Connectors are 3.5mm.

⁷ Connectors are OS-50 (2.4mm).

⁸ -1.5 to 1.0 from .5 to 2 GHz only

Mechanical Specifications

CASE STYLE	SIZE INCHES (mm)									WEIGHT	
	A	B	C	D	E	F	G	H	I	oz.	g
1	3.8 (97)	.69 (17.5)	.38 (9.7)	.38 (9.7)	.25 (6.4)	2.31 (58.7)	.39 (9.9)	.75 (19)	.44 (11.1)	2.0	56
2	2.0 (50.8)	.69 (17.5)	.38 (9.7)	.38 (9.7)	.25 (6.4)	.95 (24.2)	.38 (9.7)	.53 (13.5)	.42 (10.7)	1.3	37
3	4.4 (111.8)	.73 (18.5)	.38 (9.7)	.38 (9.7)	.25 (6.4)	2.90 (73.7)	.48 (12.2)	.75 (19)	.48 (12.2)	2.5	71
4	2.36 (59.9)	.61 (15.5)	.51 (13)	.53 (13.5)	.56 (13.2)	1.175 (29.9)	.25 (6.4)	.588 (14.9)	2.5 (6.4)	2.1	60
5	1.75 (44.5)	.50 (12.7)	.40 (10.2)	.38 (9.7)	.40 (10.2)	1.00 (25.4)	.25 (6.4)	.375 (9.5)	2.5 (6.4)	1.0	29