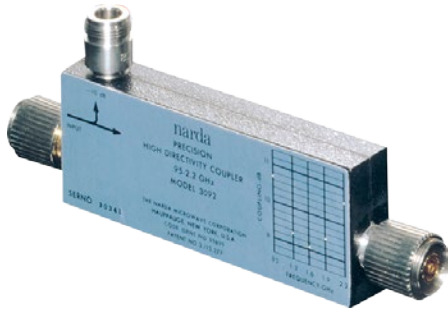


0.95-18 GHz

## 7 mm Precision High-Directivity Directional Couplers



- Exceptionally High Directivity
- Extended Octaves
- Precision Connectors
- Increased Dynamic Range
- Allows Swept Measurements with High Accuracy

### Specifications

7mm, 0.95 to 18 GHz, 30 W

FREQUENCY RANGE (GHz)	MODEL	NOMINAL COUPLING (dB)	DIRECTIVITY (dB min.)	VSWR		FREQUENCY SENSITIVITY (dB max.)	ABSOLUTE CALIBRATION ACCURACY (dB)	POWER AVERAGE* (W)	WEIGHT (max.)	
				PRIMARY LINE (max.)	SECONDARY LINE (max.)				oz.	gr.
0.95-2.2	3092	10	45	1.10	1.10	±1.2	±0.1	30	13	369
1.7-4.2	3093	10	42	1.10	1.10	±1.2	±0.1	30	11	312
3.7-8.3	3094	10	37	1.20	1.20	±1.2	±0.1	30	20	567
7-12.4	3095	10	33	1.20	1.25	±1.2	±0.1	30	14	397
7-18	3096	10	25	1.25	1.30	±1.5	±0.1	30	15	425

\* Maximum reflected power into output port is 5 W average

**CONNECTORS:**

Primary input and output connectors are 7 mm.  
Secondary line connectors are Type N female.

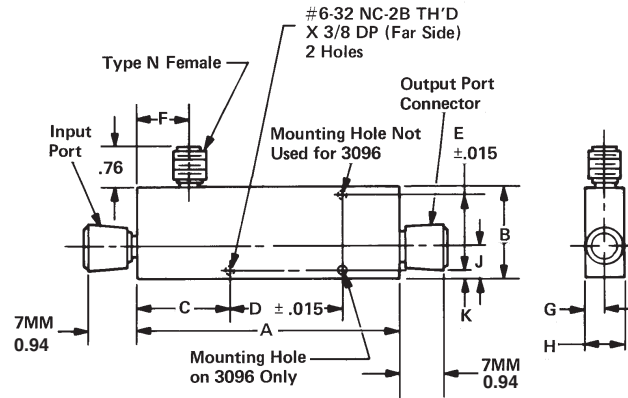
**NOTE:**

All units are available on a Custom-Order basis. Minimum quantities may apply.



# Couplers

## Outline Drawings



MODEL	A	B	C	D	E	F	G	H	J	K	MOUNTING HOLES DIAMETER OR THREAD
3092	4.69	1.75	.50	3.000	1.375	.50	.38	.76	.63	.19	6-32 NC-2B Tapped Holes 3/8 DP 2 Places
3093	3.97	1.60	.50	3.000	1.218	.50	.38	.76	.63	.19	
3094	7.58	1.75	.88	5.000	1.375	.50	.38	.76	.63	.19	
3095	5.05	1.44	.88	3.000	1.062	.63	.44	.88	.63	.19	8-32 NC-2B Tapped Holes 1/4 DP 2 Places
3096	5.24	1.51	.76	3.732	—	.91	.44	.88	.70	.22	

Dimensions in inches, unless otherwise specified.

