

## Type N Dual Coaxial Reflectometer Couplers



- Exceptionally High Directivity for Reflectometry Measurements
- Broadband Frequency Coverage
- Bilateral Male and Female Output Ports
- Low VSWR
- High Power

### Specifications

FREQUENCY RANGE GHz	MODEL	NOMINAL COUPLING dB	DIRECTIVITY dB (min)	VSWR		EQUIVALENT RESIDUAL VSWR (max)	ABSOLUTE CALIBRATION ACCURACY (Per 10 dB)	INSERTION LOSS	TRACKING dB	MAXIMUM DEVIATION from NOMINAL dB	POWER AVERAGE			WEIGHT lbs / kg (max)
				PRIMARY LINE POWER	SECONDARY LINE						INCIDENT W	REFLECTED W	PEAK kW	
0.05-1	3020A-20	20*	35	1.05	1.10	1.04	±0.1	.2	0.3	±1.0 from 250-1000 MHz	500	500	10	2.4 / 1.1
1-4	3022-20	20	1-3 GHz:30 3-4 GHz:27	1.15	1.15	1.09	±0.1	.3	0.3	±1.0	500	500	10	1.9 / 0.7
4-8	3024-20	20	25	1.15	1.20	1.12	±0.1	.6	0.3	±1.0	500	500	10	1.6 / 0.7

\*Coupling from 250 MHz to 50 MHz increase from 20 dB to 33 dB

#### NOTES:

Model 3020A is usable down to 10 MHz; coupling will typically be 42-46 dB at this frequency.

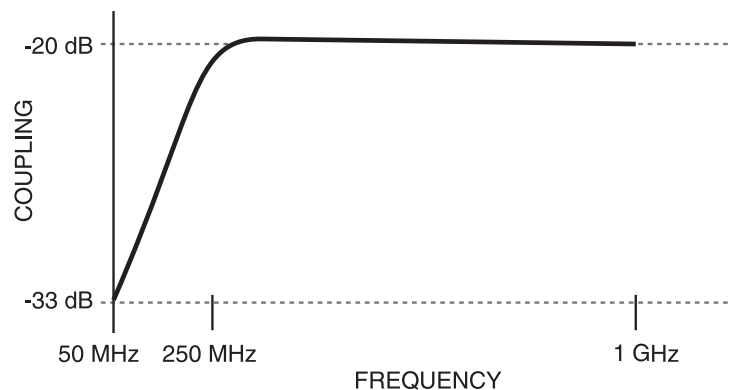
Primary Connectors: 1 female, 1 male, Type N

Secondary Connectors: 2 female, Type N

Accessories supplied with all units above:

1 male short  
1 female short

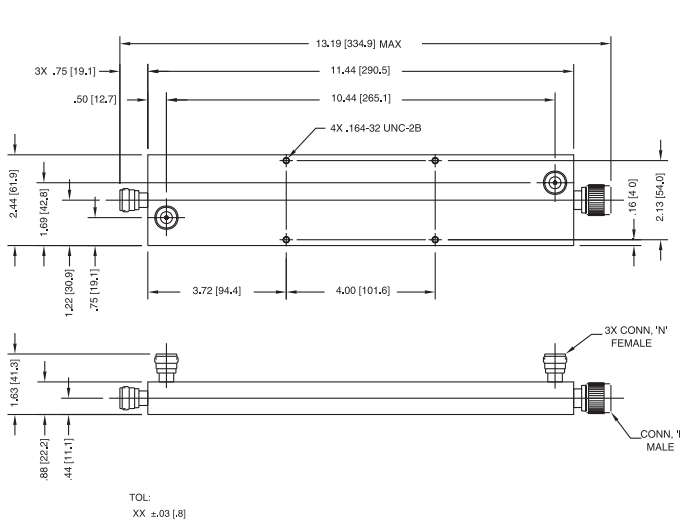
See page 38 for dept26 (wireless band) Dual Directional Couplers



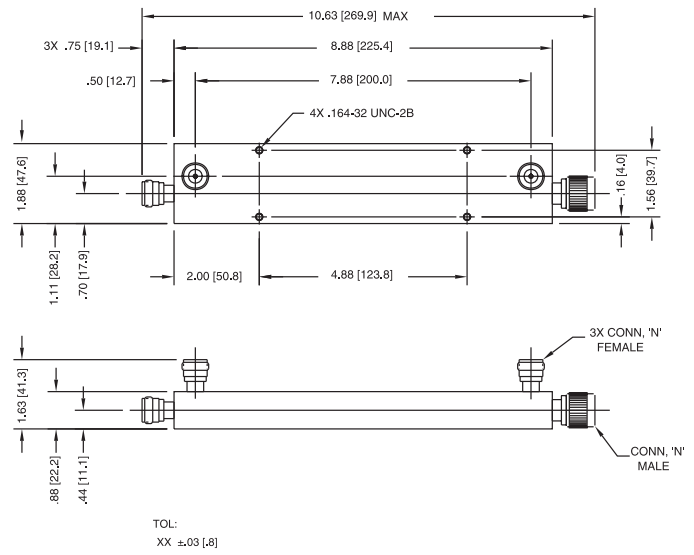
Model 3020A

# Couplers

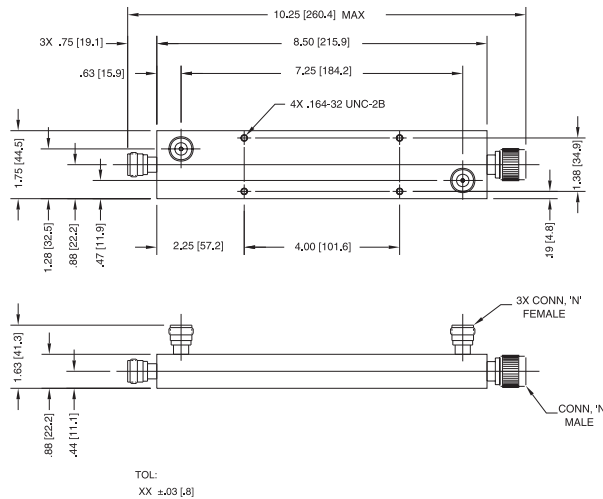
50 Years of  
Excellence



MODEL 3020A-20



MODEL 3022-20



MODEL 3024-20

All dimensions are max. unless otherwise specified

